



Optimal Air Filtration Technology Pure, Clean Air

Solutions for Dust Collector Systems

Ensured availability, superior support, unequaled quality, and reliability



Fluid Automation Solutions for Dust Collector Systems

Emerson provides the world's best supported automation for dust collector systems. Our ultra-reliable valves, switches, actuators, and other components come with ensured availability and localized support that no other manufacturer can match.

The critical difference in dust collection

For decades, Emerson has been a leading supplier to original equipment manufacturers (OEMs) and to end users of dust collector systems in a wide range of industries. Our strengthened portfolio of brands—ASCO™, AVENTICS™, TESCOM™, and TopWorx™—deliver an extensive suite of leading fluid control and pneumatics including: pulse valves, pilot valves, pilot valve enclosures, cylinders/actuators, proximity sensors, bulk head fittings, controllers, pressure switches, filter regulators, and tank systems.

What makes ASCO products different is their unique combination of quality, performance, and value with quick shipment for ensured availability — as well as consistent technical support and service for easy assembly, reliable operation, and efficient maintenance.

Our high-efficiency designs permit OEMs to create more cost-effective systems. Our high flow and pressure ratings allow those systems to operate at peak performance. Our robust design means longer life and reduced downtime. From high-reliability products to easy-replacement valve rebuild kits, Emerson provides superior solutions for dust collector systems.

Outstanding advantages

Ensured availability. We provide localized distribution across the globe. Emerson offers the most popular products for dust collectors via its Express shipment program. Result: you get the product or replacement kit you need, when you need it.

Superior support. With more than 100 professionals handling direct sales, plus more than 140 distributors in the U.S. alone, Emerson has you covered. Ask our technical experts anything about specification, installation, performance, or maintenance of dust collector air system components. Result: you get fast and accurate answers.

Unequaled quality and reliability. We build our products for repeatable operation with internals designed for tight seating. Result: you save expensive compressed air, achieve maximum pulse pressure for best performance and longer life.

Concrete Processing



Grain, Agriculture, and Feed



Metalworking



Food Processing



Pharmaceutical

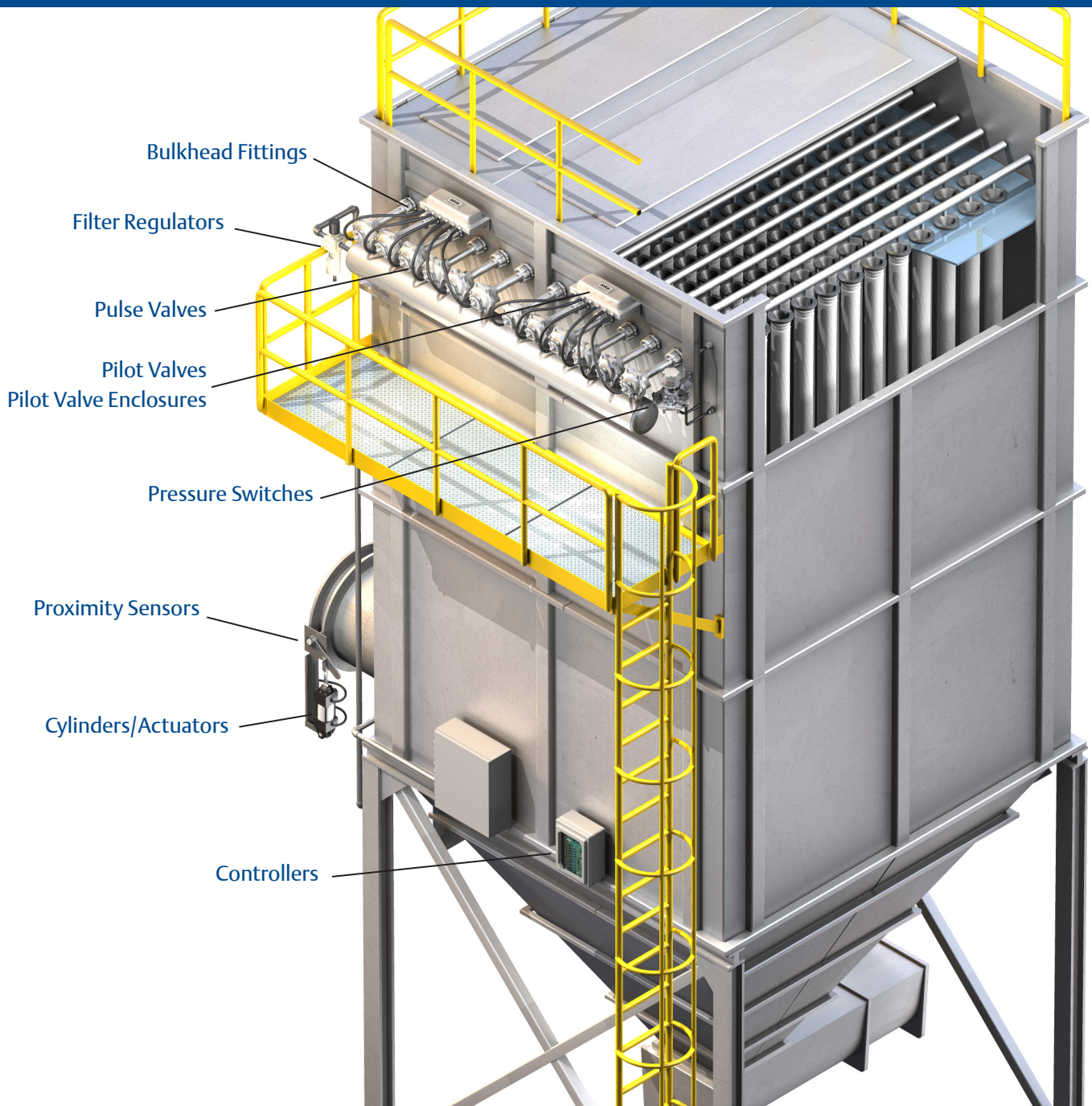


Mining



Rubber Processing





EXPRESS™

Delivery, quality, and value are our commitment to you. The Express program features dust collector products and accessories available for shipment the same day you order them.

Items qualifying for SAMEDAY shipping are guaranteed to ship same business day if the order is received before 3 P.M. EST with a maximum quantity of 25 pieces.

As part of our continued drive for customer service, we expanded the Express program to include products that can be shipped within five business days.

Table Of Contents

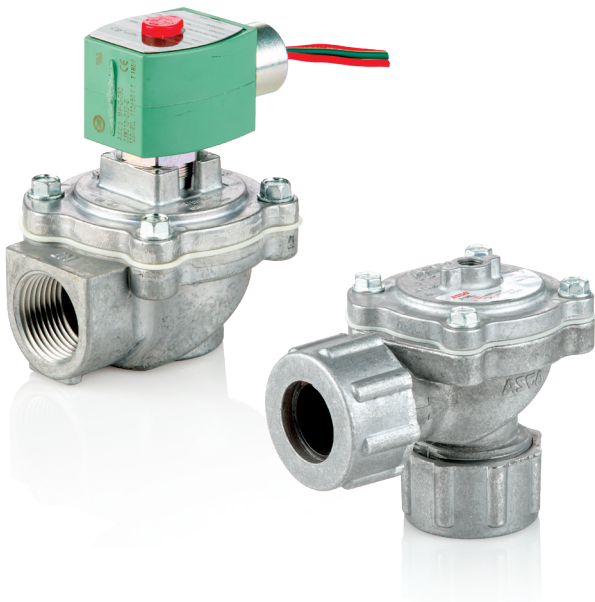
Pulse Valves	4-9
Pulse Valve Rebuild Kits	10
Top Loading Bulkhead Fittings	11
General Purpose/ Panel Mount Pilot Valves	12,13
Pilot Valve Enclosures	14,15

Pulse Valves

Diaphragm and Piston Constructions

We offer a comprehensive range of ASCO pulse valves specifically designed for filter cleaning of dust collectors and baghouses in reverse pulse jet systems. Our valves are designed for high peak pressure, high flow rates, long life, and extremely fast valve opening and closing for effective cleaning of the filters while minimizing compressed air waste.

Diaphragm Construction



- High-flow construction (up to 140 Cv) for superior bag cleaning
- NPT or Integral Fittings for fast, easy and secure installation
- Pipe sizes 3/4" to 3"
- Broad temperature range
- Valves may be mounted in any position
- Approvals
 - UL / CSA solenoid approval (Explosionproof)

Piston Construction



- The high quality polyoxymethelene (POM) piston cartridge provides a long operating life
- NPT or Quick Mount connection to eliminate thread cutting and sealing
- Pipe sizes 3/4" to 1-1/2"
- Built-in silencers reduce noise and prevent foreign particles from entering the valve
- Valves may be mounted in any position
- Approvals
 - UL / CSA solenoid approval (Explosionproof)

Features:

- Uniquely designed for dust collector systems
- Quick opening and closing saves on compressed air
- High peak pressure for improved filter cleaning
- NPT, integral fittings, or patented quick mount connections for a fast, easy and secure installation
- Integral operators have molded epoxy coils
- Remote or integral pilot

Media

Clean Dry Air

Construction

Pulse Valve	Body	Seals	Diaphragm / Piston	Discs	Core Tube / Core & Plugnut / Core Spring	Shading Coil
Diaphragm Construction	Aluminum	NBR	NBR (Nitrile), HYT (Hytrel), or CR (Neoprene) as noted	NBR or PA (Nylon) as noted	Stainless Steel	Copper
Diaphragm Construction with Integral Fittings	Aluminum	NBR	NBR or HYT, as noted	PA	Stainless Steel	Copper
Piston Construction	Aluminum	NBR	POM (Polyoxymethylene)	NBR	Stainless Steel	Copper

Electrical

Standard Coil and Class of Insulation	Watt Rating and Power Consumption				Spare Coil Part No.			
	DC Watts	AC			General Purpose		Explosionproof	
		Watts	VA Holding	VA Inrush	AC	DC	AC	DC
F	18.6	6.1	16	30	238210	238310	238214	238314
F	-	10.1	25	50	238610	-	238614	-
F	-	17.1	40	70	238610	-	238614	-

Standard Voltages: 24, 120, 240, 480 volts AC, 60Hz (or 110, 220 volts AC, 50Hz). 6, 12, 24, 120, 240 volts DC.

Must be specified when ordering.

Solenoid Enclosures

Standard: Watertight, Types 1, 2, 3, 3S, 4 and 4X

Optional: Explosionproof and Watertight, Types 3, 3S, 4, 4X, 6, 6P, 7 and 9
(To order, add prefix "EF" to catalog Number)

Specifications (English, Metric units)

Pipe Size in	Orifice Size in (mm)	Flow Factor Cv (Kv)	Operating Pressure Differential psi (bar)		Ambient / Fluid Temperature °F (°C)	Catalog Number		Express Shipping	Diaphragm/ Piston	Const. Ref	Watt Rating / Class of Coil Insulation	
			Min.	Max.		Integral Pilot	Remote Pilot				SAMEDAY Shipment Valve Order Code	AC
Pulse Valves NPT Connection - Diaphragm												
3/4	3/4 (19)	10.5 (9.0)	5 (0.3)	125 (8.6)	0°F to 185°F (-18°C to 85°C)	-	8353C033	02071	NBR	5	-	-
3/4	3/4 (19)	10.5 (9.0)	5 (0.3)	125 (8.6)	0°F to 185°F (-18°C to 85°C)	-	8353C030	02425	NBR	5	-	-
3/4	3/4 (19)	10.5 (9.0)	5 (0.3)	125 (8.6)	0°F to 185°F (-18°C to 85°C)	-	8353C004	02070	NBR	4	-	-
1	1-1/8 (29)	20 (17.1)	5 (0.3)	125 (8.6)	0°F to 150°F (-18°C to 66°C)	-	8353C035	02073	HYT	6	-	-
1	1-1/8 (29)	20 (17.1)	5 (0.3)	125 (8.6)	0°F to 150°F (-18°C to 66°C)	8353G041 ②	-	21005 ③	HYT	12	6.1/F	-
1	1-5/8 (41)	18 (15.4)	15 (1.0)	125 (8.6)	0°F to 185°F (-18°C to 85°C)	8353G006	-	-	CR	9	17.1/F	-
1-1/4	1-5/8 (41)	20 (17.1)	15 (1.0)	125 (8.6)	0°F to 185°F (-18°C to 85°C)	8353G005	-	-	CR	7	17.1/F	-
1-1/2	1-1/2 (38)	35 (30.0)	15 (1.0)	125 (8.6)	0°F to 185°F (-18°C to 85°C)	8353G001	-	-	CR	7	17.1/F	-
1-1/2	2 (51)	53 (45.4)	10 (0.7)	125 (8.6)	0°F to 150°F (-18°C to 66°C)	-	8353H038	21539	HYT	1	-	-
1-1/2	2 (51)	53 (45.4)	5 (0.3)	125 (8.6)	0°F to 150°F (-18°C to 66°C)	8353J039 ②	-	21542 ③	HYT	10	10.1/F	-
1-1/2	2 (51)	48 (41.1)	5 (0.3)	125 (8.6)	0°F to 185°F (-18°C to 85°C)	8353G061	-	-	NBR	10	10.1/F	-
1-1/2	2 (51)	48 (41.1)	10 (0.7)	125 (8.6)	0°F to 185°F (-18°C to 85°C)	-	8353A062	-	NBR	2	-	-
2	2 (51)	60 (51.4)	15 (1.0)	125 (8.6)	0°F to 185°F (-18°C to 85°C)	8353G002	-	-	CR	8	17.1/F	-
2	2 (51)	76 (65.1)	5 (0.3)	125 (8.6)	0°F to 185°F (-18°C to 85°C)	-	8353 048	-	CR	3	-	-
2	2 (51)	76 (65.1)	5 (0.3)	125 (8.6)	0°F to 185°F (-18°C to 85°C)	8353G050	-	-	CR	11	10.1/F	-
2-1/2	3 (76)	82 (70.3)	15 (1.0)	125 (8.6)	0°F to 185°F (-18°C to 85°C)	8353G007	-	-	CR	13	10.1/F	-
3	3 (76)	140 (120.0)	15 (1.0)	125 (8.6)	0°F to 185°F (-18°C to 85°C)	8353G008	-	-	CR	13	10.1/F	-
Pulse Valves with Integral Fittings - Diaphragm												
3/4	1-1/8 (29)	15 (12.9)	5 (0.3)	125 (8.6)	0°F to 150°F (-18°C to 66°C)	8353G052 ②	-	21017 ③	HYT	14	6.1/F	-
3/4	1-1/8 (29)	15 (12.9)	5 (0.3)	125 (8.6)	0°F to 150°F (-18°C to 66°C)	-	8353 055	02827	HYT	15	-	-
1	1-1/8 (29)	20 (17.1)	5 (0.3)	125 (8.6)	0°F to 150°F (-18°C to 66°C)	8352G053 ②	-	21025 ③	HYT	16	6.1/F	-
1	1-1/8 (29)	20 (17.1)	5 (0.3)	125 (8.6)	0°F to 150°F (-18°C to 66°C)	-	8353 056	02828	HYT	17	-	-
1-1/2	2 (51)	48 (41.1)	5 (0.3)	125 (8.6)	0°F to 185°F (-18°C to 85°C)	8353G059	-	-	NBR	18	10.1/F	-
1-1/2	2 (51)	48 (41.1)	10 (0.7)	125 (8.6)	0°F to 185°F (-18°C to 85°C)	-	8353A064	-	NBR	19	-	-
1-1/2	2 (51)	50 (42.9)	5 (0.3)	125 (8.6)	0°F to 150°F (-18°C to 66°C)	8353H054 ②	-	-	HYT	18	10.1/F	-
1-1/2	2 (51)	50 (42.9)	10 (0.7)	125 (8.6)	0°F to 150°F (-18°C to 66°C)	-	8353A057	21538	HYT	19	-	-
Pulse Valves NPT Connection - Piston												
3/4	1.1 (28)	16 (14)	5 (0.3)	125 (8.6)	-4°F to 185°F (-20°C to 85°C)	-	8353A813	-	POM	23	-	-
3/4	1.1 (28)	16 (14)	5 (0.3)	125 (8.6)	-4°F to 125°F (-20°C to 50°C) ①	8353G811 ②	-	-	POM	29	6.1/F	18.6/F
1	1.1 (28)	27 (23)	5 (0.3)	125 (8.6)	-4°F to 185°F (-20°C to 85°C)	-	8353A823	-	POM	24	-	-
1	1.1 (28)	27 (23)	5 (0.3)	125 (8.6)	-4°F to 125°F (-20°C to 50°C) ①	8353G821	-	-	POM	30	6.1/F	18.6/F
1-1/2	1.7 (43)	53 (46)	5 (0.3)	125 (8.6)	-4°F to 185°F (-20°C to 85°C)	-	8353A833	-	POM	25	-	-
1-1/2	1.7 (43)	53 (46)	5 (0.3)	125 (8.6)	-4°F to 125°F (-20°C to 50°C) ①	8353G831	-	-	POM	31	6.1/F	18.6/F
Pulse Valves with Quick Mount - Piston												
3/4	1.1 (28)	16 (14)	5 (0.3)	125 (8.6)	-4°F to 185°F (-20°C to 85°C)	-	S353A713	-	POM	20	-	-
3/4	1.1 (28)	16 (14)	5 (0.3)	125 (8.6)	-4°F to 125°F (-20°C to 50°C)	S353G711	-	-	POM	26	6.1/F	18.6/F
1	1.1 (28)	27 (23)	5 (0.3)	125 (8.6)	-4°F to 185°F (-20°C to 85°C)	-	S353A723	-	POM	21	-	-
1	1.1 (28)	27 (23)	5 (0.3)	125 (8.6)	-4°F to 125°F (-20°C to 50°C) ①	S353G721	-	-	POM	27	6.1/F	18.6/F
1-1/2	1.7 (43)	53 (46)	5 (0.3)	125 (8.6)	-4°F to 185°F (-20°C to 85°C)	-	S353A733	-	POM	22	-	-
1-1/2	1.7 (43)	53 (46)	5 (0.3)	125 (8.6)	-4°F to 125°F (-20°C to 50°C) ①	S353G731	-	-	POM	28	6.1/F	18.6/F

① DC voltage Ambient / Fluid Temperature -4°F to 104°F (-20°C to 40°C)

② Multiple voltages available for 5 DAY Shipment. Consult ASCO.

③ Voltage 120/60, 110/50

Note: Maximum ambient for hazardous location (EF) is 125°F (52°C) for AC, 104°F (40°C) for DC.

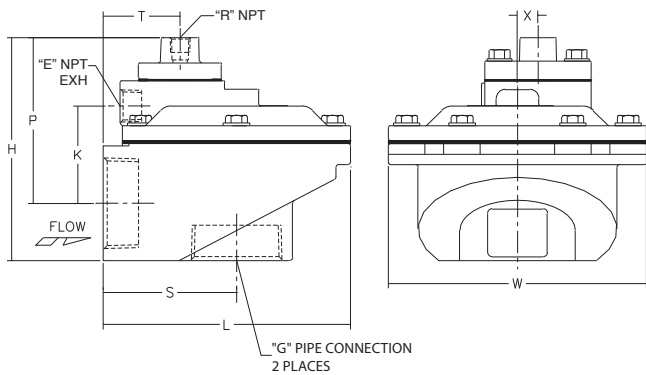
Optional: For high temperature offering to 300°F (149°C), consult ASCO, specify FKM suffix V.

NBR = Nitrile, HYT = Hytrel, CR = Neoprene, POM = Polyoxymethylene

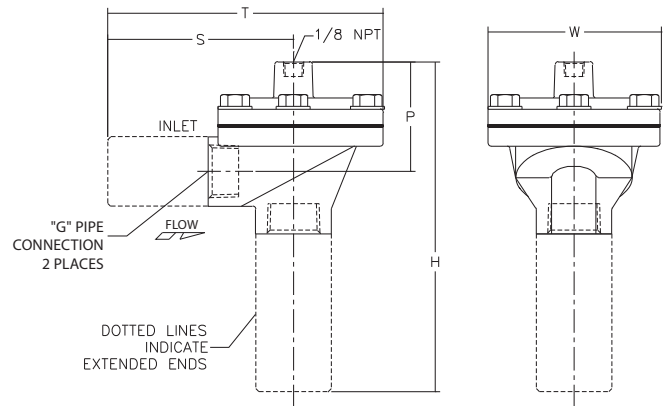
Dimensions inches (mm)

Pulse Valves NPT Connection - Diaphragm											
Const. Ref	"E" NPT Exhaust	"G" Pipe Connections		H	L	P	S	T	W	X	Bonnet Bolts
		Integral	NPT								
1	3/8"	-	1-1/2"	4.63 (117.5)	5.16 (131.0)	3.44 (87.3)	2.78 (70.6)	1.61 (40.9)	5.38 (136.5)	0.44 (11.1)	-
2	3/8"	-	1-1/2"	5.16 (131.0)	5.16 (131.0)	3.44 (87.3)	2.78 (70.6)	1.61 (40.9)	5.38 (136.5)	0.44 (11.1)	-
3	3/4"	-	2"	6.47 (164.3)	6.63 (168.3)	4.69 (119.1)	3.75 (95.3)	2.56 (65.1)	6.50 (165.1)	-	-
4	-	-	3/4" Extended End	7.94 (201.6)	3.69 (93.7)	2.16 (54.8)	-	5.16 (131.0)	3.44 (87.3)	-	5.00 (127)
5	-	-	3/4" NPT (inlet)	3.44 (87.3)	1.69 (42.9)	2.19 (55.6)	-	3.47 (88.1)	3.44 (87.3)	-	5.00 (127)
	-	-	3/4" Socket (Outlet)	3.44 (87.3)	1.69 (42.9)	2.19 (55.6)	-	3.47 (88.1)	3.44 (87.3)	-	5.00 (127)
	-	-	3/4"	3.44 (87.3)	1.69 (42.9)	2.19 (55.6)	-	3.47 (88.1)	3.44 (87.3)	-	5.00 (127)
6	-	-	1"	2.53 (64.3)	2.03 (51.6)	1.69 (42.9)	-	3.50 (88.9)	2.94 (74.6)	-	4.00 (101.6)
7	-	-	1-1/2"	7.72 (196.1)	5.00 (127.0)	6.47 (164.3)	1.78 (45.2)	5.13 (130.2)	5.38 (136.5)	-	-
	-	-	1-1/4"	7.72 (196.1)	5.00 (127.0)	6.47 (164.3)	1.78 (45.2)	5.13 (130.2)	5.38 (136.5)	-	-
8	-	-	2"	8.34 (211.9)	6.09 (154.8)	6.84 (173.8)	1.78 (45.2)	5.56 (141.3)	6.34 (161.1)	-	-
9	-	-	1"	7.72 (196.1)	5.00 (127.0)	6.41 (162.7)	1.78 (45.2)	5.13 (130.2)	5.38 (136.5)	-	-
10	3/8"	-	1-1/2"	6.28 (159.5)	5.15 (131.0)	5.08 (129.0)	2.78 (70.6)	1.61 (40.9)	5.38 (136.5)	0.44 (11.1)	-
	3/8"	-	1-1/2"	6.28 (159.5)	5.15 (131.0)	5.08 (129.0)	2.78 (70.6)	1.61 (40.9)	5.38 (136.5)	0.44 (11.1)	-
11	3/4"	-	2"	8.25 (209.6)	6.63 (168.3)	6.47 (164.3)	3.75 (95.3)	2.56 (65.1)	6.50 (165.1)	-	-

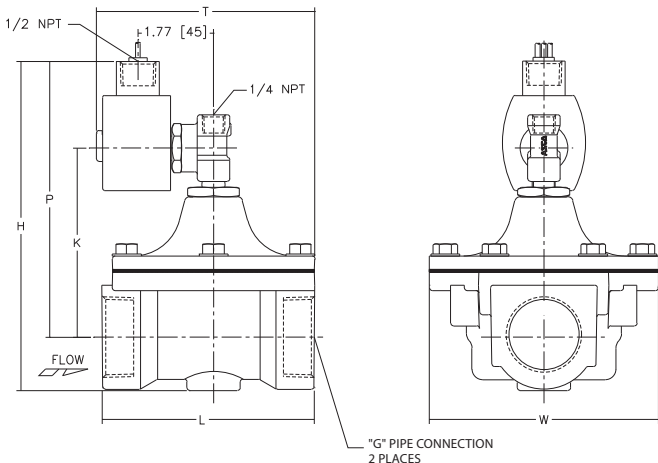
Const. Ref. 1-3 (NPT)



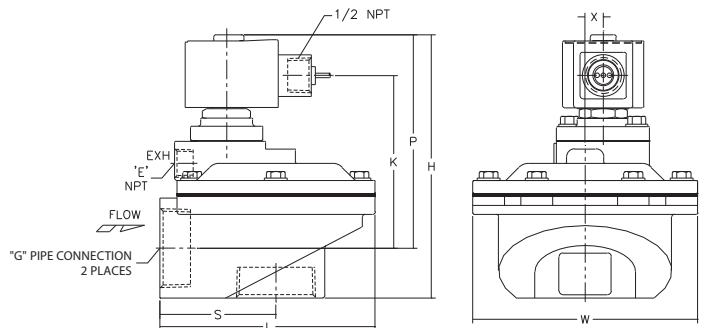
Const. Ref. 4-6 (NPT)



Const. Ref. 7-9 (NPT)



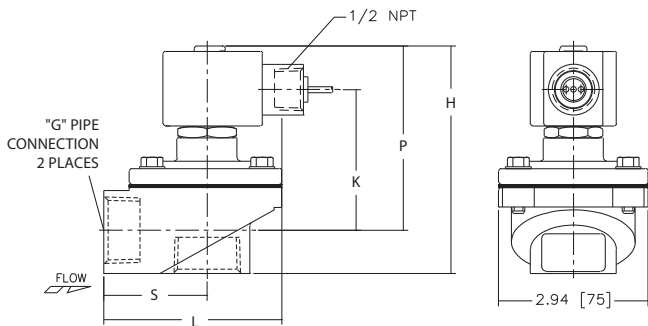
Const. Ref. 10-11 (NPT)



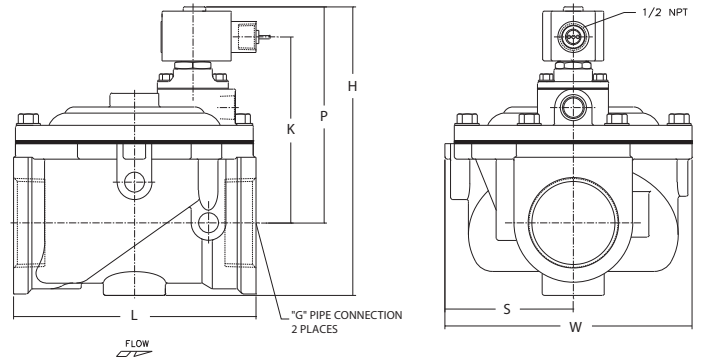
Dimensions inches (mm)

Pulse Valves NPT Connection - Diaphragm							
Const. Ref	"G" Pipe Connections	H	K	L	P	S	W
	NPT						
12	1	4.48 (114)	2.77 (70)	3.93 (100)	3.63 (92)	2.03 (52)	2.94 (75)
13	2-1/2	9.29 (236)	5.99 (152)	7.80 (198)	6.96 (177)	4.13 (105)	7.95 (202)
	3	9.29 (236)	5.99 (152)	7.80 (198)	6.96 (177)	4.13 (105)	7.95 (202)

Const. Ref. 12 (NPT)

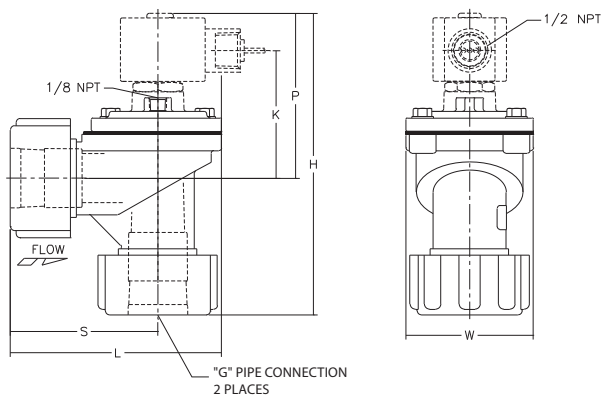


Const. Ref. 13 (NPT)

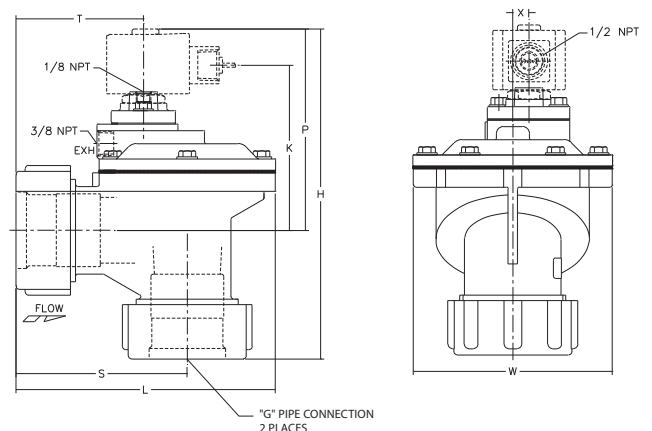


Pulse Valves with Integral Connection - Diaphragm										
Const. Ref	"E" NPT Exhaust	"G" Pipe Connections	H	K	L	P	S	T	W	X
		Integral								
14	-	3/4	6.03 (153.1)	2.83 (72.9)	4.63 (117.6)	3.75 (95.2)	3.16 (80.1)	-	2.94 (74.6)	-
15	-	3/4	-	-	4.63 (117.4)	-	3.16 (80.1)	-	2.94 (74.6)	-
16	-	1	7.03 (178.5)	2.94 (74.6)	4.93 (125.2)	3.81 (96.8)	3.47 (88.1)	-	2.94 (74.6)	-
17	-	1	-	-	4.94 (125.4)	-	3.47 (88.1)	-	2.94 (74.6)	-
18	-	1-1/2	8.84 (224.6)	4.41 (112)	6.97 (177.0)	5.38 (136.5)	4.63 (117.4)	3.44 (87.3)	5.38 (136.5)	0.44 (11.1)
	-	1-1/2	8.84 (224.6)	4.41 (112)	6.97 (177.0)	5.38 (136.5)	4.63 (117.4)	3.44 (87.3)	5.38 (136.5)	0.44 (11.1)
19	-	1-1/2	-	-	6.97 (177.0)	-	4.63 (117.4)	-	5.38 (136.5)	0.44 (11.1)
	-	1-1/2	-	-	6.97 (177.0)	-	4.63 (117.4)	-	5.38 (136.5)	0.44 (11.1)

Const. Ref. 14-17 (Integral)



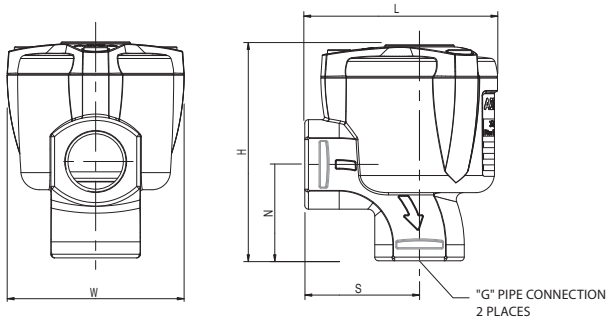
Const. Ref. 18-19 (Integral)



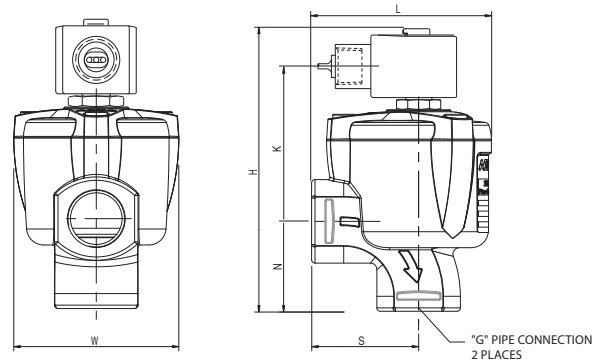
Dimensions inches (mm)

Pulse Valves NPT Connection - Piston								
Const. Ref	"G" Pipe Connections		H	K	L	N	S	W
	NPT	Clamp						
20	3/4	-	3.7 (94)	-	3.3 (85)	1.7 (42)	2.0 (51)	3.0 (77)
21	1	-	4.0 (100)	-	3.8 (96)	2.0 (51)	2.4 (62)	3.0 (77)
22	1-1/2	-	5.0 (127)	-	4.8 (121)	2.4 (60)	2.8 (71)	4.4 (112)
23	3/4	-	5.7 (146)	3.1 (79)	3.3 (85)	1.7 (42)	2.0 (51)	3.0 (77)
24	1	-	6.0 (152)	3.1 (79)	3.8 (96)	2.0 (51)	2.4 (62)	3.0 (77)
25	1-1/2	-	7.1 (181)	3.8 (97)	4.8 (121)	2.4 (60)	2.8 (71)	4.4 (112)
Pulse Valves with Quick Mount - Piston								
26	-	3/4	4.5 (114)	-	4.1 (105)	2.4 (62)	2.8 (71)	3.0 (77)
27	-	1	4.8 (121)	-	4.5 (117)	2.8 (71)	3.3 (85)	3.0 (77)
28	-	1-1/2	6.0 (153)	-	5.7 (146)	3.4 (86)	3.8 (97)	4.4 (112)
29	-	3/4	6.5 (166)	3.2 (81)	4.1 (105)	2.4 (62)	2.8 (71)	3.0 (77)
30	-	1	6.8 (173)	3.1 (79)	4.5 (114)	2.8 (71)	3.3 (85)	3.0 (77)
31	-	1-1/2	8.1 (206)	3.8 (97)	5.7 (146)	3.4 (86)	3.8 (97)	4.4 (112)

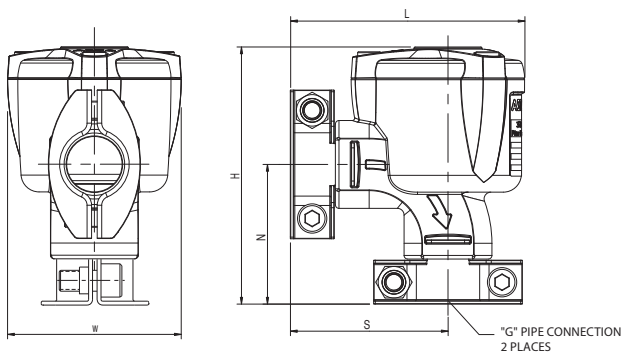
Const. Ref. 20-22 (NPT)



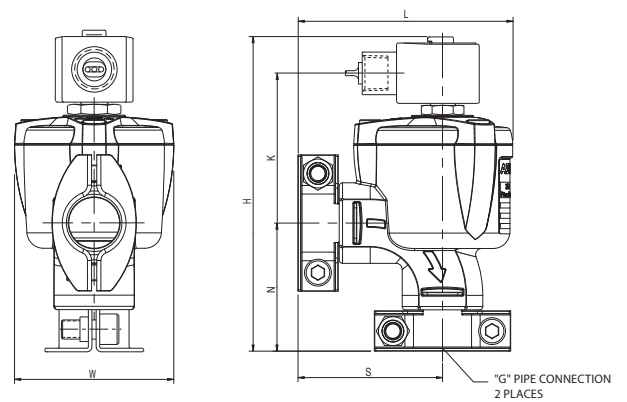
Const. Ref. 23-25 (NPT)



Const. Ref. 26-28 (Quick Mount)



Const. Ref. 29-31 (Quick Mount)



Rebuild Kits

Remote Pilot						
Catalog Number	Rebuild Kit		Diaphragm Only 10 Pack "Zip" Kit	Express Shipping		
				SAMEDAY Shipment		5 DAY Shipment
				Rebuild Kit Order Code	Rebuild Kit Order Code	Diaphragm Only 10 Pack "Zip" Kit Order Code
Diaphragm Construction						
8353C033	-	-	-	096875	-	238864
8353C030	-	-	-	096875	-	238864
8353C004	-	-	-	096875	-	238864
8353C035	-	-	-	200262	-	238866
8353H038	-	-	-	276886	-	238870
8353A062	-	-	-	-	276884	-
8353 048	256802	256797	-	-	-	-
Diaphragm Construction with Integral Fittings						
8353 055	-	-	-	200262	-	238866
8353 056	-	-	-	200262	-	238866
8353A064 ①	-	-	-	-	276884	-
8353A057 ①	-	-	-	276886	-	238870
Piston Construction						
S353A713	C117279	-	-	-	-	-
S353A723	C117280	-	-	-	-	-
S353A733	C117289	-	-	-	-	-
8353A813	C117271	-	-	-	-	-
8353A823	C117271	-	-	-	-	-
8353A833	C117283	-	-	-	-	-

① 1-1/2" pipe gasket kit, 10 pack - 278426

Integral Pilot						
Catalog Number	Rebuild Kit		Diaphragm Only 10 Pack "Zip" Kit	Express Shipping		
	AC	DC		SAMEDAY Shipment		5 DAY Shipment
				Rebuild Kit Order Code AC	Rebuild Kit Order Code AC	Diaphragm Only 10 Pack "Zip" Kit Order Code
Diaphragm Construction						
8353G041	-	-	-	316563	-	238866
8353G006	300144	-	-	-	-	-
8353G005	300144	-	-	-	-	-
8353G001	300144	-	-	-	-	-
8353J039	-	-	-	322108	-	238870
8353G061	-	-	-	-	316297	-
8353G002	300145	-	-	-	-	-
8353G050	316029	-	256797	-	-	-
8353G007	176878	-	-	-	-	-
8353G008	176878	-	-	-	-	-
Diaphragm Construction with Integral Fittings						
8353G052	-	-	-	316563	-	238866
8352G053	-	-	-	316563	-	238866
8353G059 ①	-	-	-	-	316297	-
8353H054 ①	-	-	-	322108	-	238870
Piston Construction						
S353G711	C113453	C133454	-	-	-	-
S353G721	C133455	C133456	-	-	-	-
S353G731	C133465	C133466	-	-	-	-
8353G811	C133451	C133452	-	-	-	-
8353G821	C133451	C133452	-	-	-	-
8353G831	C133463	C133464	-	-	-	-

① 1-1/2" pipe gasket kit, 10 pack - 278426



Top Loading Bulkhead Fittings

Aluminum bodies - fits 3/4" to 1-1/2" pipe sizes

Features

- Eliminates welding in through-the-wall installations
- Normally used with ASCO pulse valves having integral compression fittings
- Top loading-type dust collectors require installation and removal of collector bags or cartridges from the top of the housing, above the blow tubes

Nominal Ambient Temp. Ranges

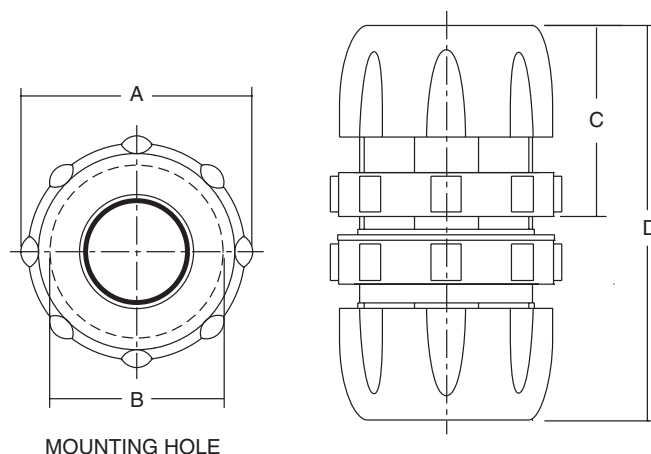
-4°F to 266°F (-20°C to 130°C)

Note: The rubber seal, retainer, and nut provide pressure sealing around the pipes. Inlet and blow pipes must be secured to prevent movement.



Installation

Fittings are installed through the dust collector wall, gasketed in place, and secured with a retaining ring. Compression nut, retainer, and pipe seal are then installed on the pipe, making certain the beveled edge of the seal faces the connector body. The pipe assembly then slides into the connector body and the nut is firmly hand tightened.



Dimensions inches (mm)

Pipe Size (in)	A	B	C	D	Catalog Number Ordering
3/4"	2.56 (65)	1.85 (47)	2.44 (62)	4.57 (116)	266015
1"	3.03 (77)	2.28 (58)	2.52 (64)	4.80 (122)	266017
1-1/2"	3.50 (89)	2.72 (69)	2.56 (65)	4.72 (120)	266019

General Purpose/Panel Mount Pilot Valves

1/8" To 1/4" end connections

Features

- Designed to pilot large dust collector pulse valves
- For individual installation or mounting in panel enclosure
- Brass bodied valve has threaded exhaust port for optional muffler installation, and screw or leaded terminals
- Plastic body valve designed for plastic or metallic tubing, has spade terminals
- All with bubble-tight seals
- Zero minimum pressure



Approvals

Series 8262

CSA certified, File 10381.

UL listed, as indicated.

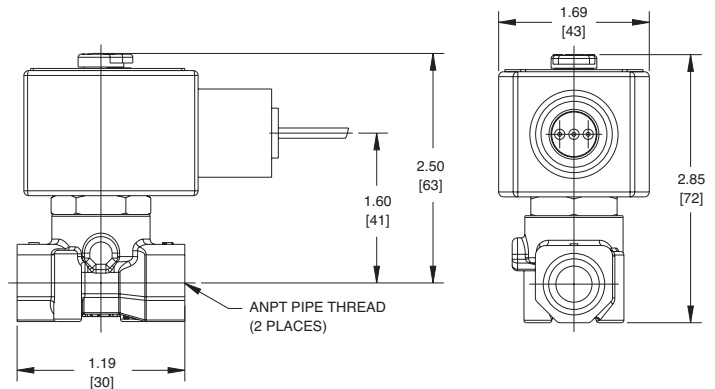
Meets applicable CE directives (Excludes EF option)

Series 8257

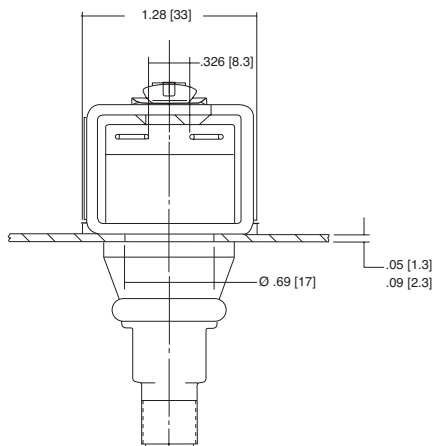
CSA certified, File 10381

UL Recognized, File MP618

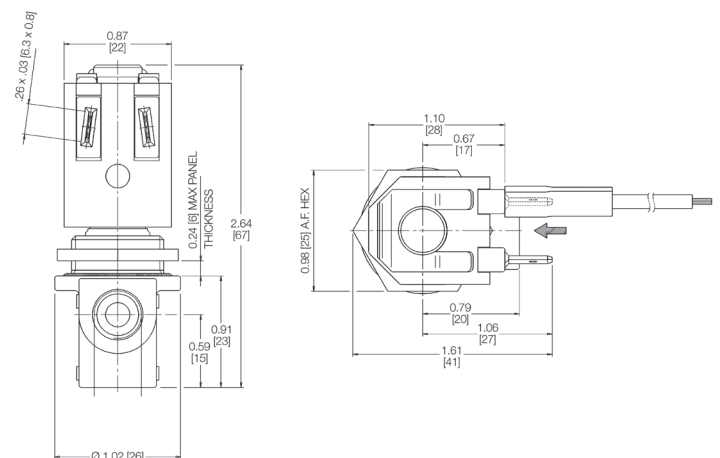
Series 8262



Series 8260



Series 8257



Specifications (English, Metric units)

Pipe Size in	Orifice Size in (mm)	Flow Factor Cv (Kv)	Operating Pressure Differential psi (bar)		RedHat II Catalog Number	RedHat Panel Mount Solenoids Catalog Number	Express Shipping			Watt Rating / Class of Coil Insulation	
			Min.	Max.			SAMEDAY Shipment Valve Order Code	Voltage	5 DAY Shipment	AC	DC
NORMALLY CLOSED (Closed when de-energized), Brass Body - AC Only											
1/8"	1/8 (3.2)	.34 (.29)	0	155 (10.7)	8262H002 ③	-	21960	120/60, 110/50	-	6.1F	-
							21965	24/60	-		
							21963	240/60, 220/50	-		
							21966	12/DC	-		
							21967	24/DC	-		
							21964	480/60, 440/50	-		
1/8"	1/8 (3.2)	.34 (.29)	0	155 (10.7)	-	PSF8262C002 ①	-	-	PSF8262C002 ③	6/F	-
1/8"	1/8 (3.2)	.34 (.29)	0	155 (10.7)	-	P8262C002	-	-	P8262C002 ③	6/F	-
1/8"	1/8 (3.2)	.34 (.29)	0	155 (10.7)	-	MP8262C002	-	-	MP8262C002 ③	6/F	-
1/8"	1/8 (3.2)	.34 (.29)	0	150 (10.3)	-	PSFX8262C002-17523 ②	21688	120/60	-	6/F	-
1/8"	1/8 (3.2)	.34 (.29)	0	125 (8.6)	-	USF8257A001 ①	03256	120/50-60	-	10/F	22/F
NORMALLY CLOSED (Closed when de-energized), PA Body - AC Only											
1/4" O.D Comp.	1/8 (3.2)	.30 (.26)	0	125 (8.6)	-	USM8260100 ①	00851	120/60 INT	-	24.9/B	-
1/8" External NPT	1/8 (3.2)	.30 (.26)	0	125 (8.6)	-	USM8260101 ①	02823	120/60 INT	-	24.9/B	-

① With spade terminal coil standard.

② With screw terminal coil standard.

③ Multiple voltages available for 5 DAY Shipment. Consult ASCO.

Construction

Pilot Valve	Body	Seals & Disc	Core Tube	Core and Plugnut	Shading Coil	Springs
General Purpose / Panel Mount Pilot Valves	Brass or PA, as listed	NBR	305 Stainless Steel	430F Stainless Steel	Copper	302 Stainless Steel

Electrical

Standard Coil and Class of Insulation	Watt Rating and Power Consumption				Spare Coil Part No. AC		
	DC Watts	AC			General Purpose		Explosion proof
		Watts	VA Holding	VA Inrush	AC	DC	AC
F	-	6	15.6	27.5	99216 (spade)	-	-
F	-	6	15.6	27.5	125472 (screw)	-	-
F	-	6.1	16	30	238210	-	238214
B	-	24.9	34.8	43.2	174879	-	-
F	22	10	17.6	23.2	400135	400135	-

Standard Voltages: 24, 120, 240, 480 volts AC, 60Hz (or 110, 220 volts AC, 50Hz). 6, 12, 24, 120, 240 volts DC.

Must be specified when ordering.

Solenoid Enclosures:

Standard: RedHat II Watertight, Types 1, 2, 3, 3S, 4 and 4X; RedHat - Open Frame.

Optional: Explosionproof and Watertight, Types 3, 3S, 4, 4X, 6, 6P, 7 and 9

(To order, add prefix "EF" to catalog Number)

Pilot Valve Enclosures

4X Watertight or Explosionproof Cast Aluminum

Features

- Accommodates 3 to 12 valve constructions
- Protection for pre-wired ASCO remote pilot valves
- Corrosion resistant, cast aluminum enclosures available with Type 4X Watertight or Types 7 and 9 Explosionproof protection
- Installer-friendly valve layout
- For Explosionproof enclosure, manual operation possible through exhaust port in base
- Enclosures may be mounted in any position



Pilot Valve Enclosures

Standard: Watertight enclosure: Types 1, 2, 3, 3S and 4X.

Explosionproof enclosure: Types 4X, 6, 7 and 9. Class I, Div I, Groups C and D. Class II, Div 1, Groups E, F and G. Type 4X is standard on Explosionproof enclosure.

Approvals

CSA certified

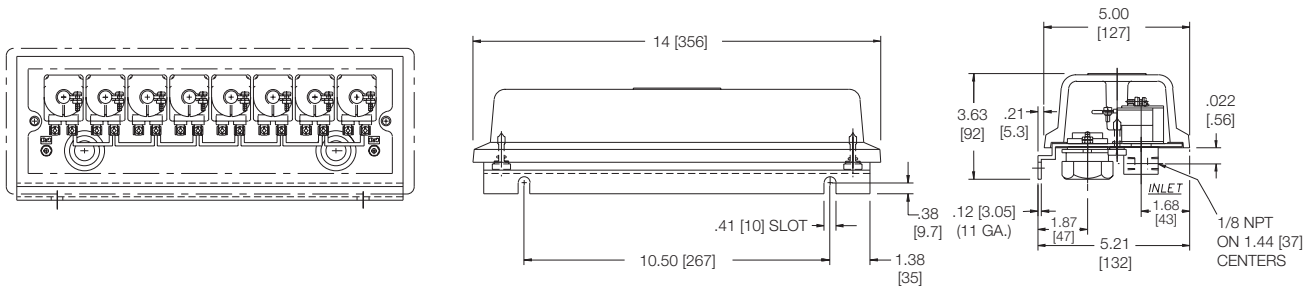
Pilot Valve Enclosures - 3 to 12 Pilot Valves

Ordering Instructions							
Number of Valves	Watertight/Dusttight				Explosionproof		
	Catalog Number	Suffix			Catalog Number	Suffix	
		120/60V	240/60V	24VDC		120/60V	240/60V
3	125469-003-	-01-A	-02-A	-77-A	125847-003-	-01	-02
4	125469-004-	-01-A	-02-A	-77-A	125847-004-	-01	-02
5	125469-005-	-01-A	-02-A	-77-A	125847-005-	-01	-02
6	125469-006-	-01-A	-02-A	-77-A	125847-006-	-01	-02
7	125469-007-	-01-A	-02-A	-77-A			
8	125469-008-	-01-A	-02-A	-77-A			
9	125470-009-	-01-A	-02-A	-77-A			
10	125470-010-	-01-A	-02-A	-77-A			
11	125470-011-	-01-A	-02-A	-77-A			
12	125470-012-	-01-A	-02-A	-77-A			

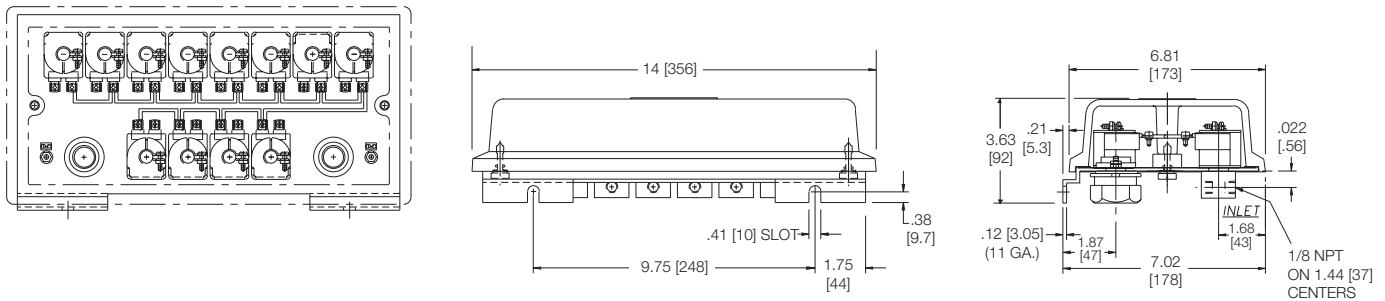
To order different voltages, add suffix to catalog numbers, as shown above

Dimensions inches (mm)

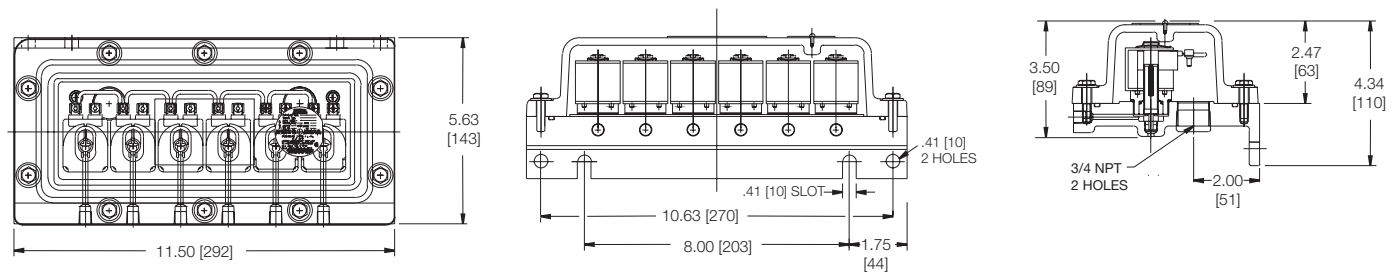
Type 4X Watertight Enclosures 8 Valve Maximum



Type 4X Watertight Enclosures 12 Valve Maximum



Type 7 and 9 Explosionproof Enclosure Explosionproof - Assembly - 6 Valve Maximum



Additional Related Products

Filter Regulators



Offers high performance and versatility in compact modular package. Features one of the highest flow characteristics resulting in a lower pressure drop which can deliver energy savings.

Cylinders and Proximity Sensors



Extra-long, cast iron rod bushing, plus an oversized wear band at rear of piston which contributes to longer life. Pair with proximity sensors and limit switches to provide accurate final control.

Tank Systems



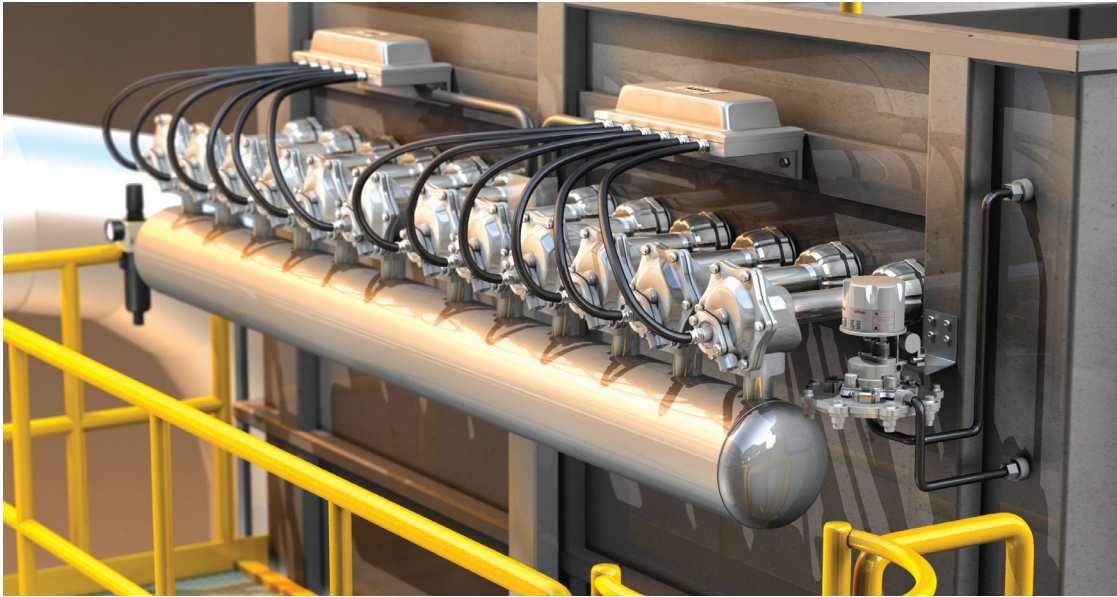
Used in dust collector applications requiring high flow capacity and accurate process control. Extremely short response times enable high peak pressures for best filter bag cleaning.

Controllers



Operates ASCO valves in sequence for maximum effectiveness in pulsing filter bags. LEDs provide visual indication of which valve are being energized and of "power on state".

Comprehensive solutions from air filtration and material handling to finishing



ASCO™

Where flow control meets pneumatics to create fluid automation solutions that maximize efficiencies, optimize applications, and enable customers to fulfill their true potential.

Our extensive product lines include a broad range of solenoid valves, angle body piston valves, valve manifolds, cylinders, filters, regulators, lubricators and accessories.

Emerson Automation Solutions
ASCO L.P. – United States
160 Park Avenue
Florham Park, NJ 07932
T. (+1) 800-972-2726
E. info-valve@asco.com

Emerson Automation Solutions
ASCO SAS – France
53 Rue de la Beauce
28110 Lucé
T. (+33) 2 37 24 47 72
E. anf.serviceclients@Emerson.com

Emerson Automation Solutions
ASCO ASIA – Singapore
Blk 4008, Ang Mo Kio Avenue 10
#04-17/22, TECHplace I
Singapore 569625
T. (+65) 6556 1100
E. valvesales@emerson.com

 ASCO.com

 Facebook.com/ASCOValve

 [LinkedIn.com/company/Emerson Automation Solutions](https://LinkedIn.com/company/EmersonAutomationSolutions)

 Twitter.com/ASCOValve

The Emerson logo is a trademark and service mark of Emerson Electric Co. Brand logotype are registered trademarks of one of the Emerson family of companies. All other marks are the property of their respective owners. © 2019 Emerson Electric Co. All rights reserved. V7744 / Printed in the U.S.A. / 2/19


EMERSON™

CONSIDER IT SOLVED™